

# *Fliptop Cash Drawer*

## OPERATING & MAINTENANCE INSTRUCTIONS

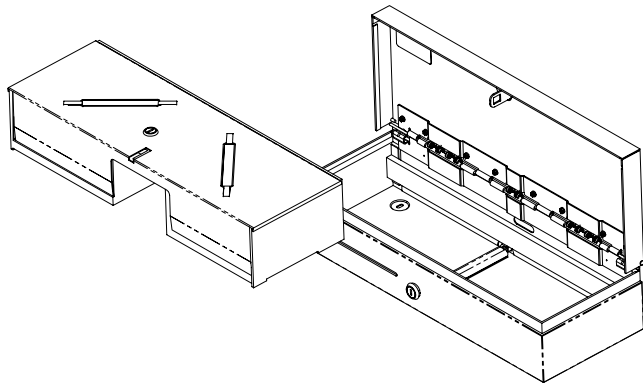


Figure 1

### GETTING STARTED

Prepare a location for the cash drawer. Recommendations for a suitable location include:

- A sturdy, level surface. See page 2 for installation notes.
- Operating temperature from 20° F to 100° F (-7° C to 37° C)
- Non-condensing relative humidity from 20% to 80%.
- Observe proper clearances as noted in **Figure 4** to ensure proper lid operation.

### LOCK FUNCTIONS (If applicable)

Two keys are included with each cash drawer for the manual lock. The key lock provides two functions: manual open and electrically on-line. See **Figure 2**. The key may be removed in the 12 o'clock (Electrically On-Line) position only. To reduce the risk of damaging or breaking the key, remove the key from the lock during normal operation.

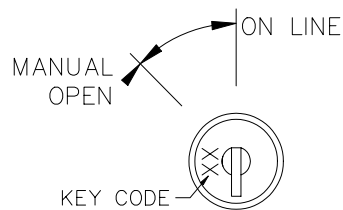


Figure 2

### MEDIA STORAGE

A media storage compartment integrated into the bottom of the till, may be accessed by inserting media into the single slip slot on the front of the drawer.

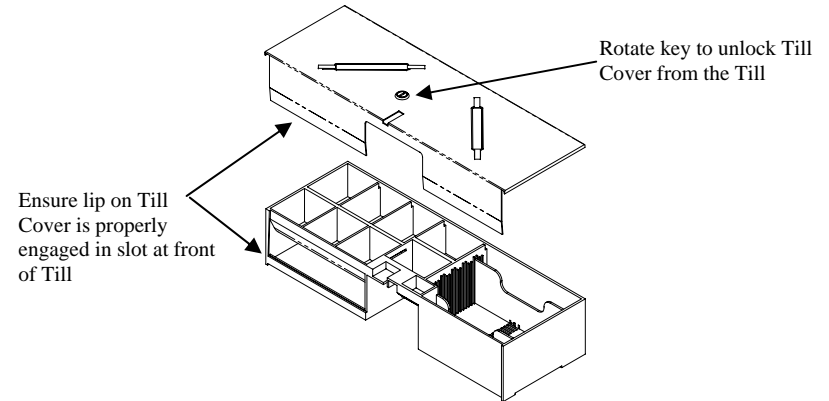


Figure 3

### REMOVING THE LOCKING TILL COVER

Refer to **Figure 3**.

Note: the cash drawer lock and till cover lock may be different styles and/ or lock codes.

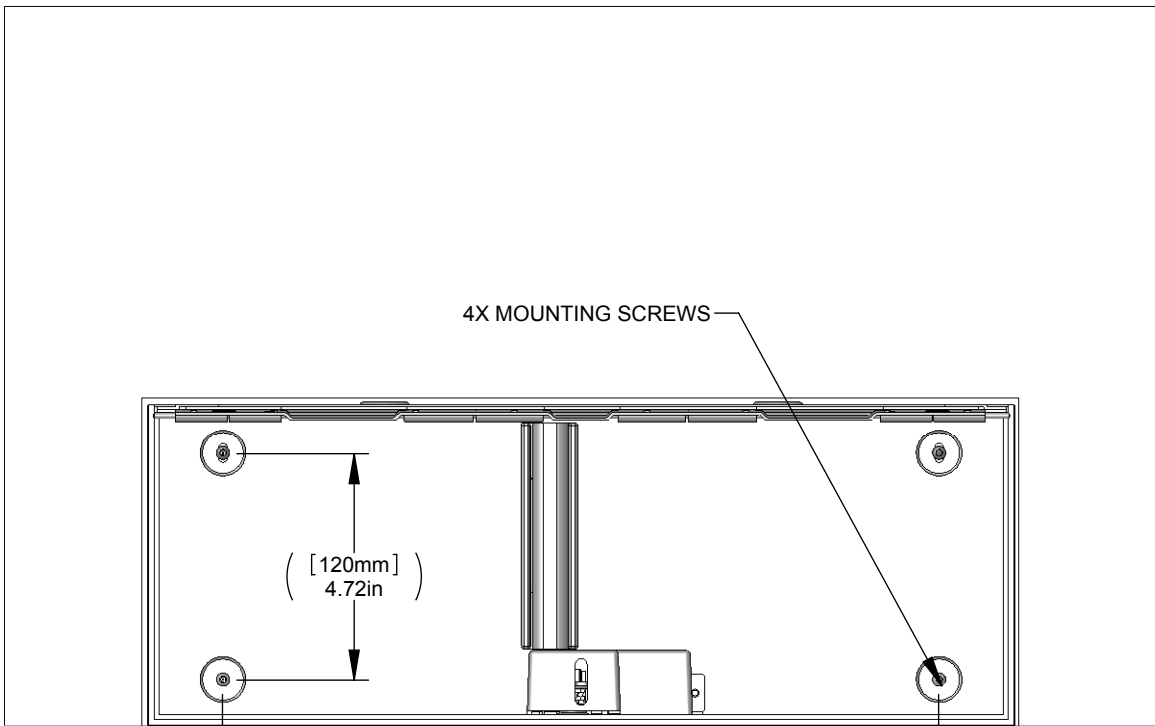
Insert the key into the till cover lock and rotate 90 degrees. Lift the lid off.

**CAUTION: Breaking coin rolls on the money till may cause the plastic to fracture.**

### RECOMMENDED CASH DRAWER INSTALLATION

Refer to **Figure 4** on page 2.

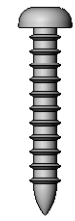
Install the Cash Drawer in an appropriate location. Secure the Cash Drawer in place with 4 screws installed through the holes on the inside bottom of case. Screw heads should be on the inside of the case and must not interfere with bottom of Till for the Cash Drawer to operate properly.



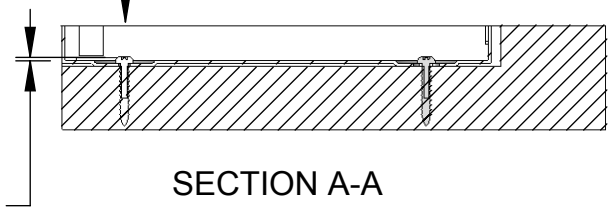
4X MOUNTING SCREWS

( [120mm]  
4.72in )

( [379mm]  
14.92in )

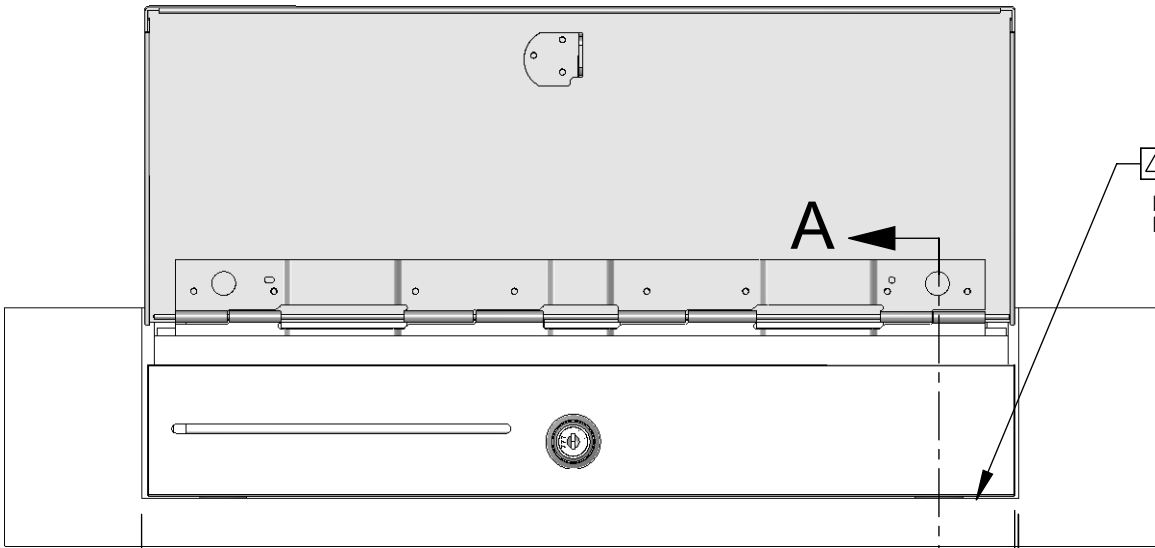


RECOMMENDED SCREW  
ST 3.5 PHILLIPS PAN HEAD  
SELF TAPPING SCREW  
4 REQUIRED



SECTION A-A

[1.4mm]  
.054in MAXIMUM HEIGHT  
OF SCREW HEAD ABOVE  
INSIDE BOTTOM OF CASE



[.060 IN (1.52 mm)]

MOUNTING SURFACE  
MUST BE FLAT

CHECKSTAND

[464mm]  
18.27in MINIMUM  
CHECKSTAND OPENING

A

[2mm]  
.078in MINIMUM  
CLEARANCE REQUIRED

NOTES:

1. ADJUST MOUNTING SURFACE TO ENSURE CASH DRAWER IS MOUNTED AS FLAT AND LEVEL AS POSSIBLE.
2. ENSURE .078 IN [2 mm] MINIMUM CLEARANCE AT SIDES OF CASH DRAWER FOR PROPER LID OPERATION.
3. THE EMBOSES ON THE REAR OF THE CASH DRAWER ARE PROVIDED TO ENSURE CLEARANCE AT REAR OF CASH DRAWER FOR PROPER LID OPERATION.

Figure 4