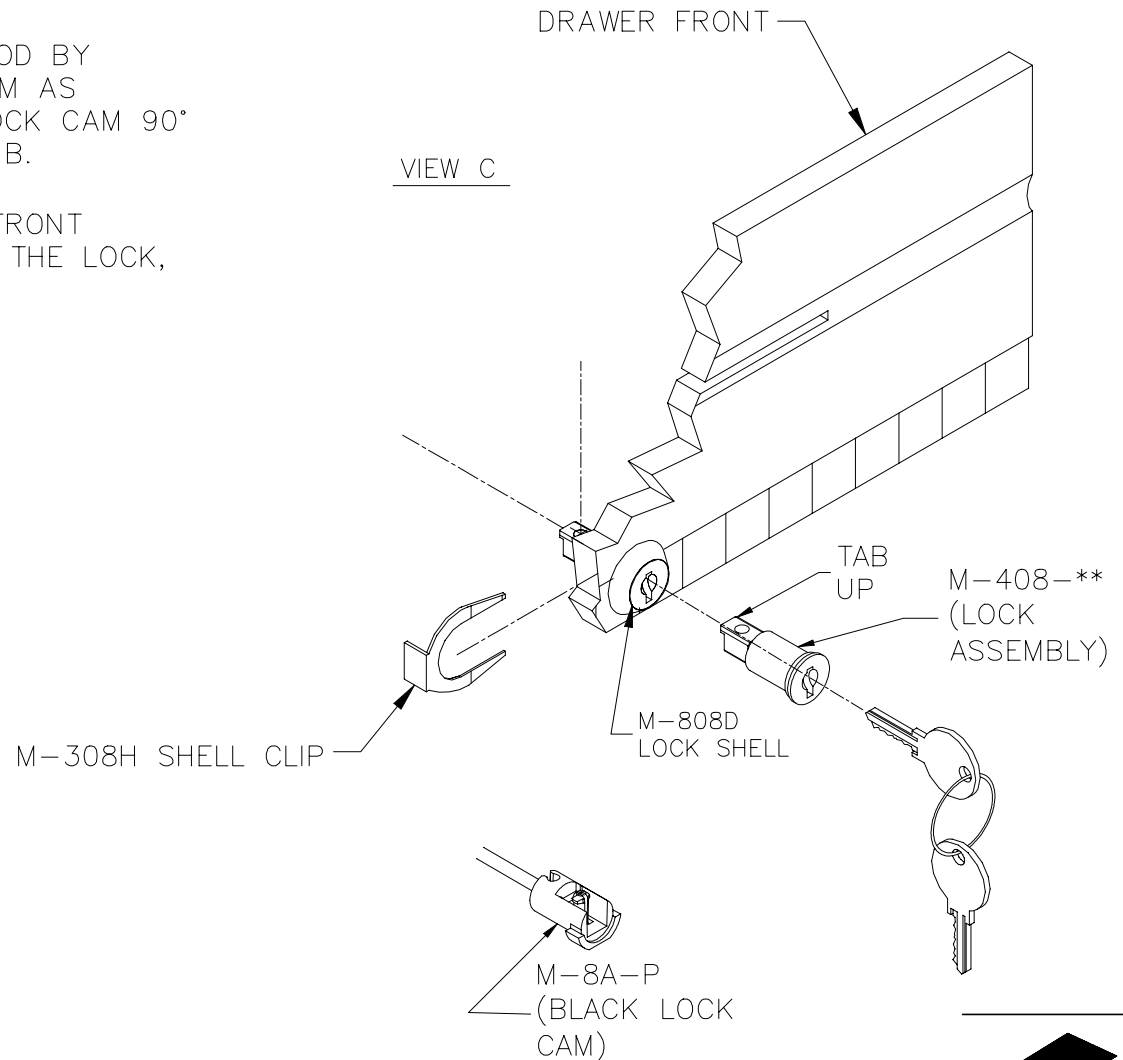
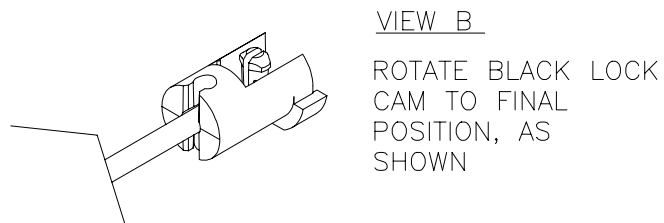
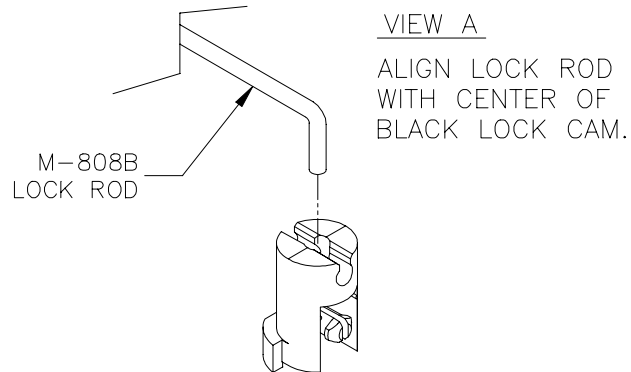


# S6000 CASH DRAWER KEY ASSEMBLY

1. ATTACH THE LOCK CAM TO THE LOCK ROD BY ORIENTING THE LOCK ROD AND LOCK CAM AS SHOWN IN VIEW A. THEN ROTATE THE LOCK CAM 90° SO THE FINAL RESULT LOOKS LIKE VIEW B.
2. INSERT THE LOCK ASSEMBLY INTO THE FRONT PANEL AND PRESS THE LOCK CAM INTO THE LOCK, AS SHOWN IN VIEW C.



NOTE: INNER DRAWER NOT SHOWN FOR CLARITY



© COPYRIGHT 10-22-04  
M308ASSY.DWG